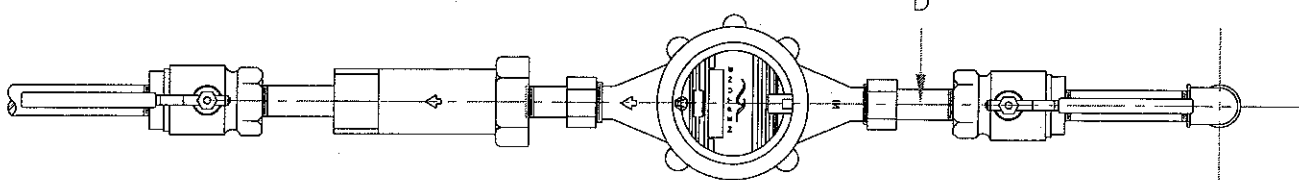


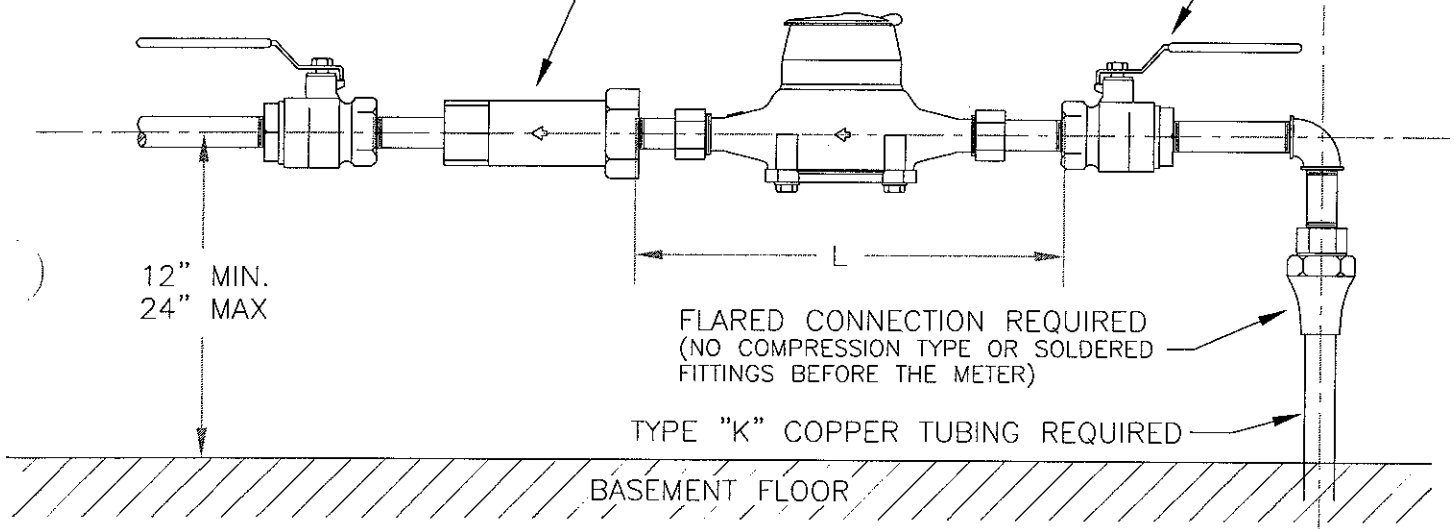
FOUNDATION / WALL



METER INSTALLATION - TOP VIEW

BACKFLOW PREVENTION DEVICE (SEE NOTE 4)

(2) BALL TYPE VALVES (200 p.s.i. PRESSURE RATING)



METER INSTALLATION - SIDE VIEW

NOTES:

1. THE METER SHALL BE LOCATED AS NEAR AS POSSIBLE TO THE POINT AT WHICH THE SERVICE ENTERS THE BUILDING.
2. THE METER SHALL BE INSTALLED HORIZONTALLY.
3. METERS INSTALLED INSIDE BUILDINGS SHALL NOT BE INSTALLED IN PITS.
4. RESIDENTIAL DOMESTIC SERVICES REQUIRE A DUAL CHECK VALVE; ALL OTHER TYPE SERVICES REQUIRE A PWSB APPROVED TESTABLE BACKFLOW PREVENTION DEVICE. ALL IN ACCORDANCE WITH SECTION 10 OF THE PWSB REGULATIONS.

METER SIZE	L	D
5/8"	12 1/2"	12"
3/4"	14 1/4"	12"
1"	16 1/4"	12"
1 1/2" (FLANGED END)	13"	18"
2" (FLANGED END)	17"	18"

Pawtucket Water
PWSB
Supply Board

PAWTUCKET WATER SUPPLY BOARD

TYPICAL METER INSTALLATION

REVISION DATE:
MAY 2006

NOT TO SCALE

STD. NO.
2.01